

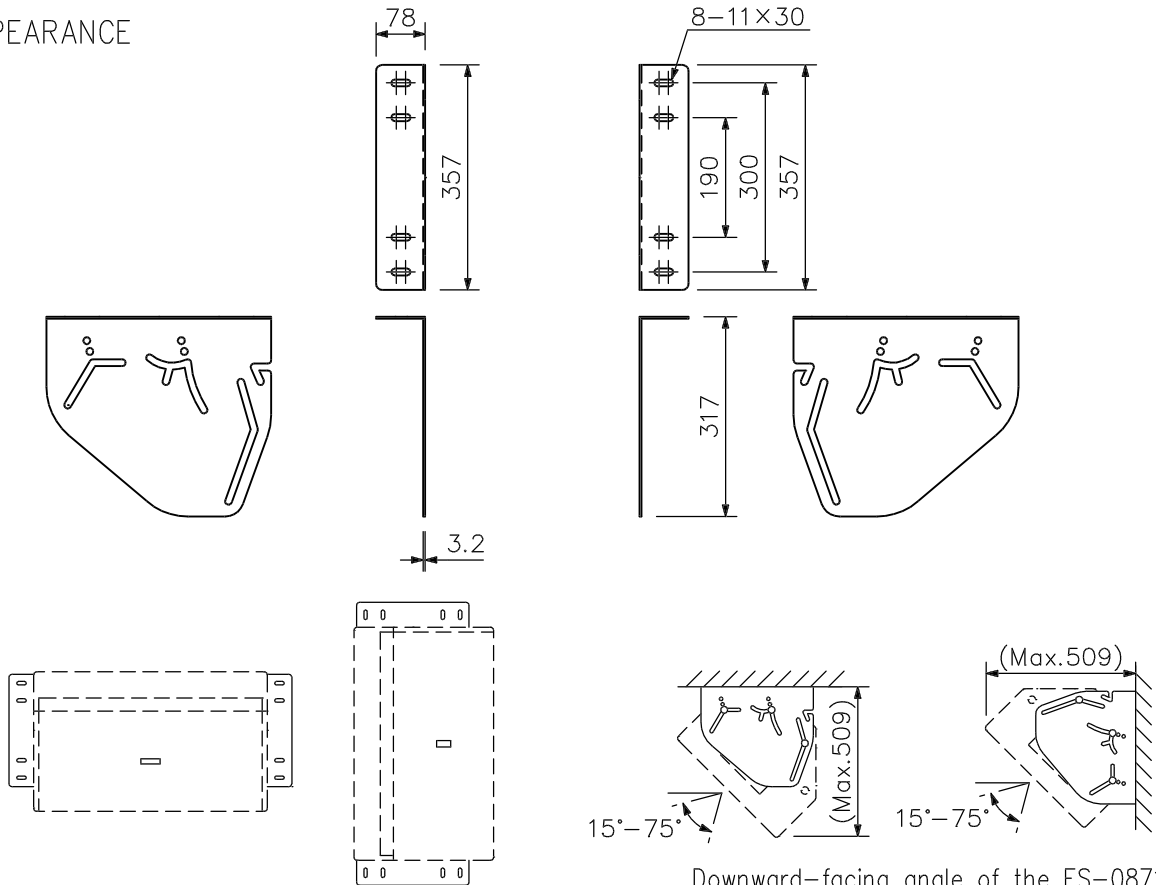
## DESCRIPTION

The HY-0871CL is a speaker mounting bracket specially designed for mounting TOA's ES-0871 speaker on a wall or ceiling.

## SPECIFICATIONS

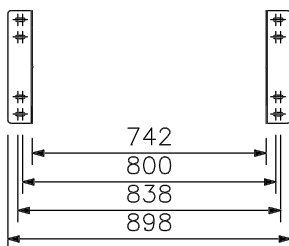
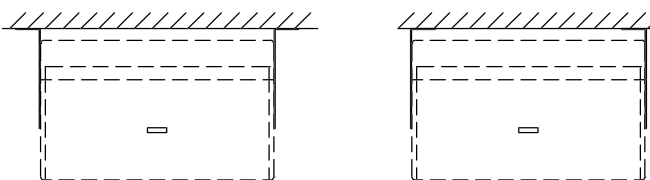
Usable Speaker	ES-0871
Finish	Rolled steel plate, black, semi-mat paint
Permissible Speaker Load	45 kg
Weight	2.9 kg
Accessory	Speaker mounting bolt ..... 1 set

## APPEARANCE

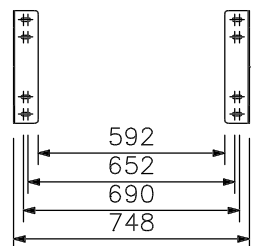


ES-0871 speaker can be mounted to a wall horizontally or vertically.

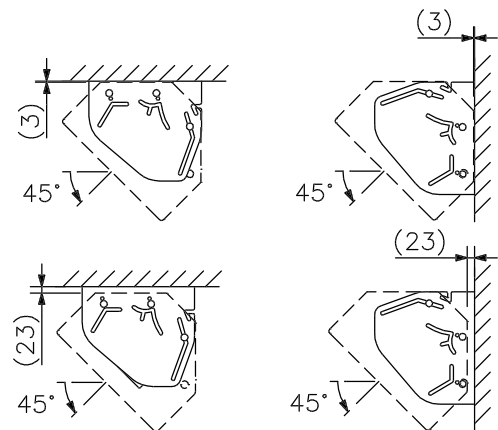
Downward-facing angle of the ES-0871 speaker mounted to a ceiling or wall



Dimension when the ES-0871 speaker is mounted so that the bracket faces outward.



Dimension when the ES-0871 speaker is mounted so that the bracket faces inward.



Downward-facing angle of the ES-0871 speaker mounted closely to a ceiling or wall

UNIT:mm SCALE:1/12