

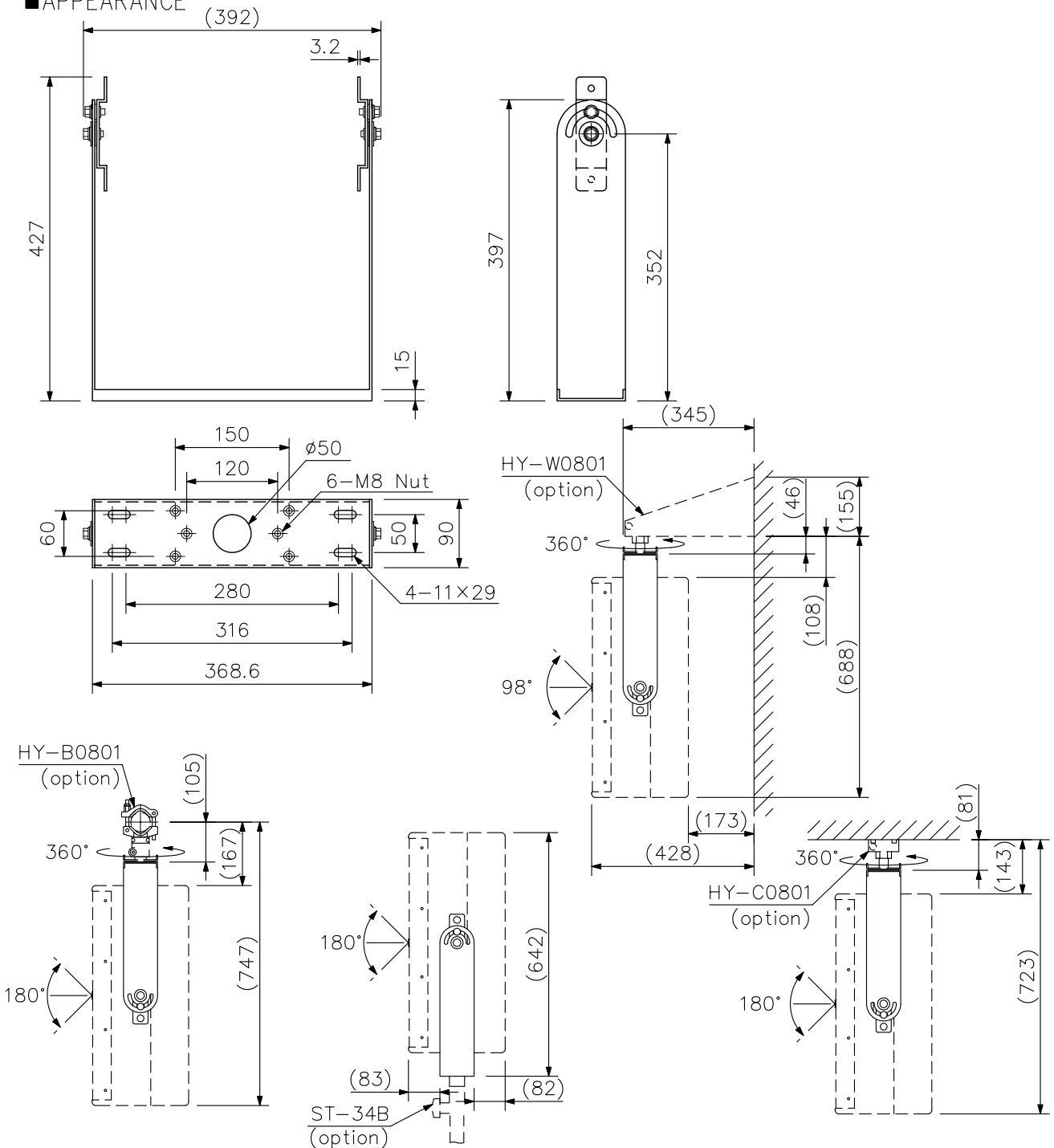
DESCRIPTION

The HY-0851ST bracket is used in combination with its optional speaker mounting bracket HY-B0801, HY-C0801 or HY-W0801 to vertically mount TOA's ES-0851 speaker system to a ceiling or wall or hang the speaker system from a ceiling pipe.

SPECIFICATIONS

| | |
|----------------|---|
| Usable Speaker | ES-0851 |
| Finish | Rolled steel plate, black, semi-mat paint |
| Load Capacity | 28 kg |
| Weight | 3.1 kg |
| Accessory | Speaker mounting bolt 4 |
| Option | Mounting bracket: HY-B0801, HY-C0801, HY-W0801 Speaker stand: ST-34B |

APPEARANCE



ES-0851 mounting example

UNIT:mm SCALE:1/8