

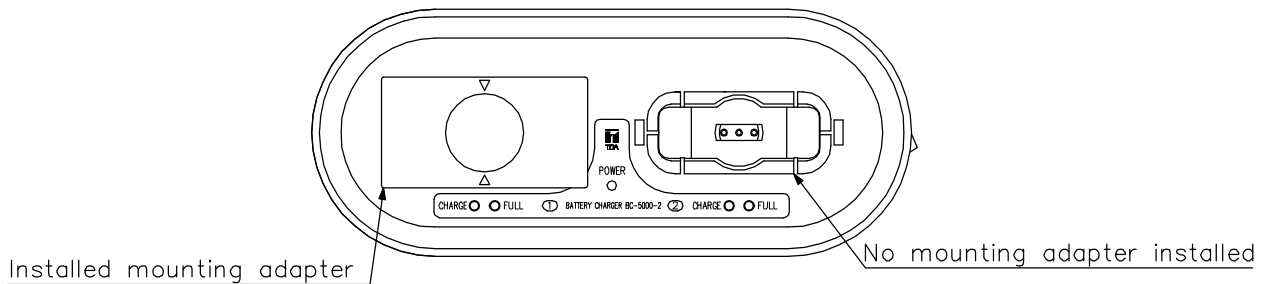
## DESCRIPTION

The BC-5000-2 is a dedicated battery charger for the WM-5225 and WM-5265 Wireless Microphones, WM-5325 Wireless Transmitter, and WT-5100 Portable Receiver, which work with AD-5000-2. It employs a quick charging system for nickel metal hydride (Ni-MH) batteries, allowing up to 2 wireless microphones to be fully charged within 3 hours.

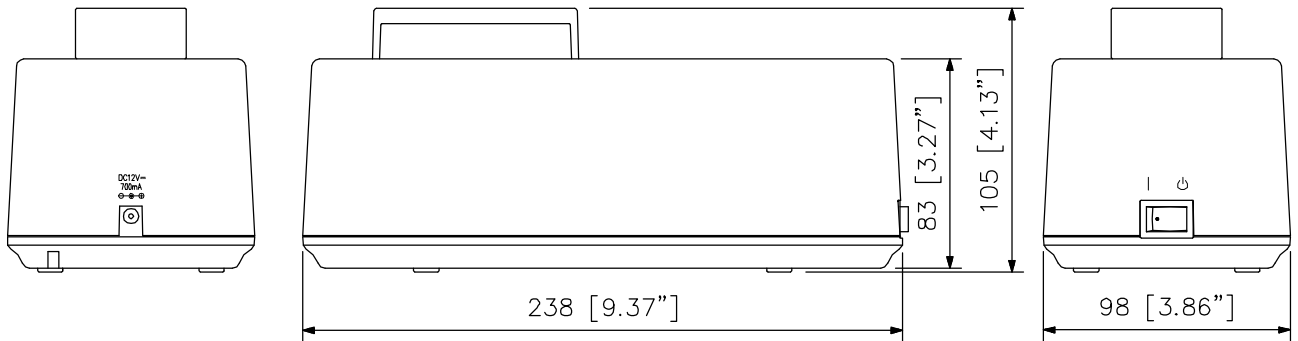
## SPECIFICATIONS

Power Source	12 V DC (optional AC adapter AD-5000-2 must be used)
Power Consumption	700 mA
Charging Time	Max. 3 h
Number of Wireless Microphones to be Charged Simultaneously	2 pieces
Operating Temperature	0 °C to +40 °C (32 °F to 104 °F)
Operating Humidity	30 % to 85 %RH (no condensation)
Finish	Case: ABS resin, gray Microphone receptacle section: PPE resin, black
Dimensions	238 (W) × 105 (H) × 98 (D) mm (9.37" × 4.13" × 3.86") (including mounting adapter)
Weight	500 g (1.1 lb) (charger with the mounting adapters attached)
Accessory	Mounting adapter ×2
Option	Rechargeable battery: WB-2000-2 (containing 2 pieces) AC adapter: AD-5000-2

## APPEARANCE



Top View



Left Side View

Front View

Right Side View

UNIT: mm SCALE: 1/3