

TOA CEILING MOUNT FIRE DOME SPEAKER PC-1867FC

The PC-1867FC is certified according to the European Standard EN 54-24: 2008 and compliant with the British Standard BS 5839-8: 2008.
EN 54-24 certification number is 1438/CPD/0183

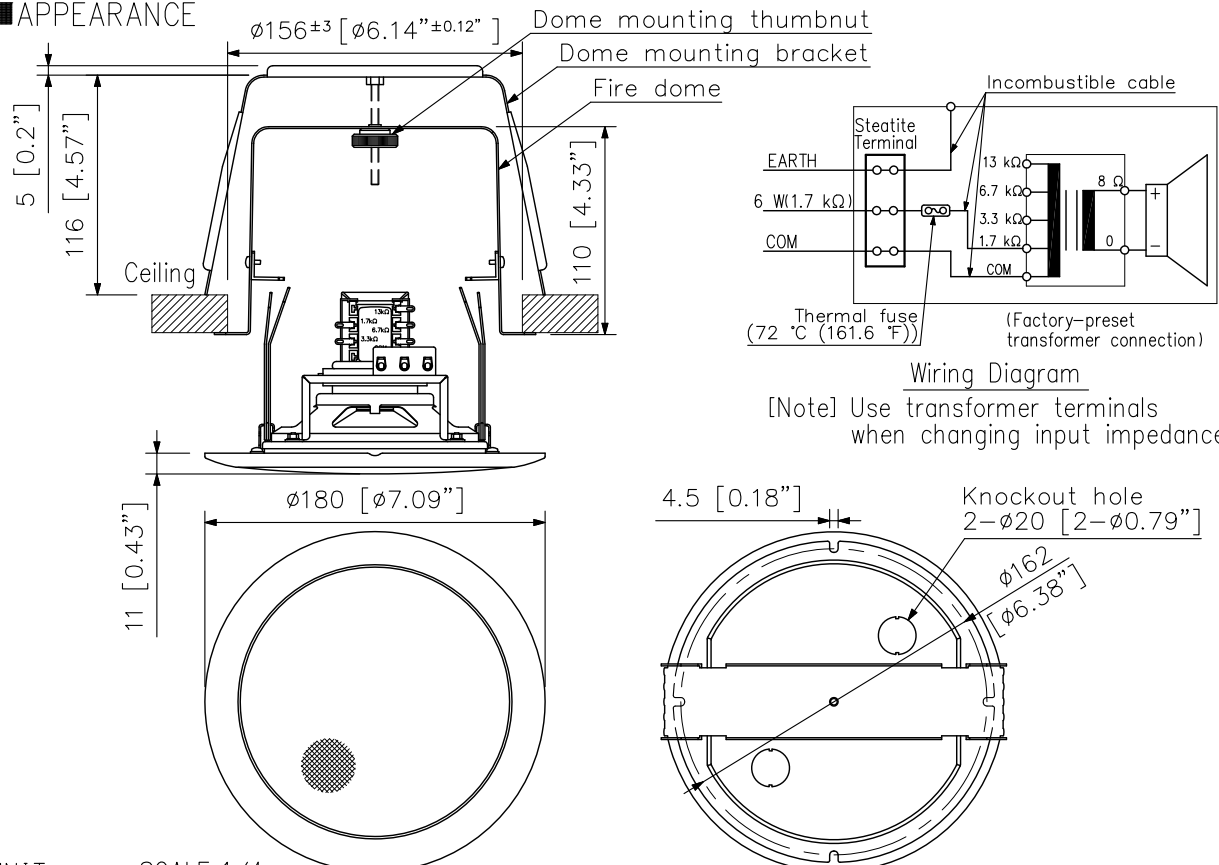
DESCRIPTION

The PC-1867FC Ceiling Mount Speaker features an iron-made dome that prevents the fire from spreading in the ceiling in case of an emergency situation. The speaker can be easily installed using the speaker mounting spring, and the dome can also be easily mounted in the speaker mounting hole in the ceiling panel. The PC-1867FC certificated European Standard EN 54-24 and complies with the British Standard BS 5839-8.

SPECIFICATIONS

Rated Noise Power	6 W (100 V Line), 3 W (70 V Line)
Rated Impedance	100 V line: 1.7 kΩ (6 W), 3.3 kΩ (3 W), 6.7 kΩ (1.5 W), 13 kΩ (0.8 W) 70 V line: 1.7 kΩ (3 W), 3.3 kΩ (1.5 W), 6.7 kΩ (0.8 W), 13 kΩ (0.4 W)
Sensitivity	90 dB (1 W, 1 m) (500 Hz - 5 kHz, pink noise) 79 dB (1 W, 4 m) (100 Hz - 10 kHz, pink noise) according to EN 54-24 91 dB (1 W, 1 m) (100 Hz - 10 kHz, pink noise) converted based on EN 54-24
Maximum Sound Pressure Level	85 dB (6 W, 4 m) (100 Hz - 10 kHz, pink noise) according to EN 54-24 97 dB (6 W, 1 m) (100 Hz - 10 kHz, pink noise) converted based on EN 54-24
Frequency Response	160 Hz - 13 kHz
Coverage Angle(-6dB)	500 Hz: 186°, 1 kHz: 178°, 2 kHz: 148°, 4 kHz: 76°, according to EN 54-24
Environmental Type	A (indoor applications) according to EN 54-24
Speaker Component	12 cm (5") cone-type
Dimensions for Fixing Hole	∅156 ⁺³ (mounting hole) × 30 (maximum ceiling thickness) mm (∅6.14"±0.12" × 1.18")
Speaker Mounting Method	Spring catch
Applicable Cable	Solid wire: ∅1.0 - ∅3.0 mm (AWG18-9)
Connection	Screw connector (steatite terminal) bridging
Finish	Baffle: Aluminum, white (RAL 9016 equivalent), paint Grille: Aluminum net, white (RAL 9016 equivalent), paint Dome mounting bracket: Steel plate, trivalent chromate treatment plating Fire dome: Steel plate, black, painting
Dimensions	∅180 × 11 (exposed section) + 110 (D) mm (∅7.09" × 0.43" + 4.33")
Weight	1.4 kg (3.09 lb) (bracket, fire dome included)
Accessory	Rubber grommet ×2, Paper pattern ×1

APPEARANCE



UNIT: mm SCALE: 1/4