

DESCRIPTION

The ER-2215 is an easy-to-operate, shoulder megaphone rated at 15 W of output and having a separate microphone.
 It can be mounted to the optional ST-16A speaker stand.
 The newly developed polyimide diaphragm is employed to ensure high sound quality.

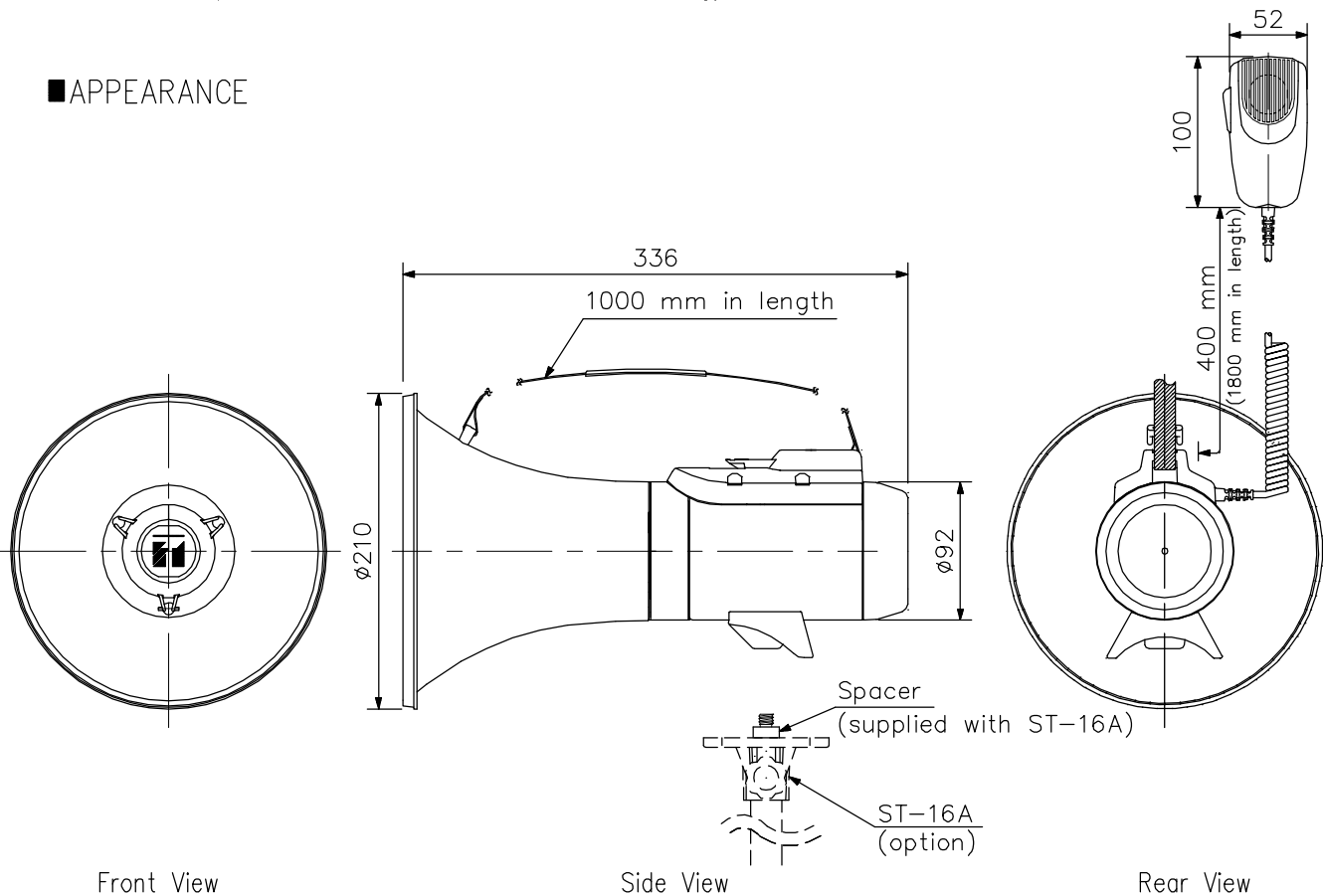
SPECIFICATIONS

Power Source	R14P (C) X 6 (9 V DC)
Rated Output	15 W
Maximum Output	23 W
Battery Life	Approx. 9 hours (JEITA)*
Audible Range	Approx. 400 m (JEITA)*
Diaphragm	Polyimide film (voice coil, bobbin)
Operating Temperature	-10 °C to +40 °C
Finish	Horn: ABS resin, light gray Microphone and other: ABS resin, gray Strap: Nylon, black
Dimensions	ø210 x 336 mm
Weight	Body: 1.1 kg (without microphone and batteries) Microphone: 150 g
Option	Speaker stand: ST-16A

Note: Batteries are optional.

* JEITA: Japan electronics and information technology industries association. (EIAJ TT-4501A)

APPEARANCE



<Note on the audible range and battery life>

1. The indications of the audible range and battery life are based on the JEITA Standard*.
2. Audible Range presumes that the megaphone employs new batteries and is used on a quiet street.
It varies depending on such conditions as battery consumption, ambient noise, wind direction and obstacles.
3. Battery Life assumes that megaphone is used for 30 minutes a day.

UNIT:mm SCALE:1/5